

## Retractable handles

**Retractable mechanism Steel, with hold in both positions**

### SPECIFICATION

- Handle
- Plastic **KT**
- Technopolymer (Polyamide PA)
  - temperature resistant up to 90 °C
  - black, matt finish
  - revolving
- Retractable mechanism
- Steel, blackened

### INFORMATION

Typical in design are the retractable handles GN 798.3 with their stepped shape consisting of two cylinders giving the operator a better grip, especially when pulling the handle out from its locked position before it can be folded back into the rest position. Retractable handles GN 798.3 are suitable when the handle must be withdrawn during automatic operations.

### TECHNICAL INFORMATION

- Plastic characteristics (see page A2)

## Retractable handles

**Retractable mechanism Stainless Steel, with hold in both positions**

### SPECIFICATION

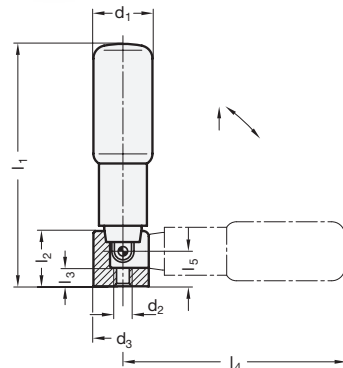
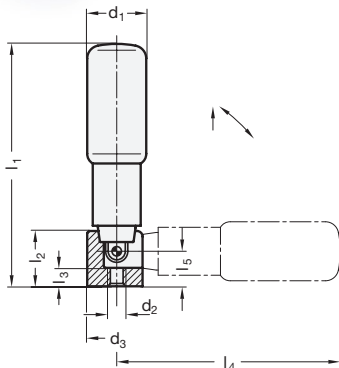
- Handle
- Plastic **KT**
- Technopolymer (Polyamide PA)
  - temperature resistant up to 90 °C
  - black, matt finish
  - revolving
- Retractable mechanism
- Stainless Steel AISI 303
  - Axle parts AISI 303
  - Flat base Sintered Steel 316L

### INFORMATION

Typical in design are the retractable handles GN 798.5 with their stepped shape consisting of two cylinders giving the operator a better grip, especially when pulling the handle out from its locked position before it can be folded back into the rest position. Retractable handles GN 798.5 are suitable when the handle must be withdrawn during automatic operations.

### TECHNICAL INFORMATION

- Plastic characteristics (see page A2)
- Stainless Steel characteristics (see page A26)



**GN 798.3**

Description	d1	d2	d3	l1 ≈	l2	l3	l4 ≈	l5	Δ
GN 798.3-KT-16	16	M 5	16	58	15	5	52.5	9.5	35
GN 798.3-KT-18	18	M 5	16	72.5	15	5	67	9.5	41
GN 798.3-KT-22	22	M 6	20	80.5	19.5	6	74	10.5	78
GN 798.3-KT-24	24	M 6	20	95.5	19.5	6	89	10.5	90
GN 798.3-KT-25	25	M 6	20	105.5	19.5	6	98.5	10.5	110

**GN 798.5**

**STAINLESS STEEL**

Description	d1	d2	d3	l1 ≈	l2	l3	l4 ≈	l5	Δ
GN 798.5-KT-16	16	M 5	16	58	15	5	52.5	9.5	35
GN 798.5-KT-18	18	M 5	16	72.5	15	5	67	9.5	45
GN 798.5-KT-22	22	M 6	20	80.5	19.5	6	74	10.5	84
GN 798.5-KT-24	24	M 6	20	95.5	19.5	6	89	10.5	95
GN 798.5-KT-25	25	M 6	20	105.5	19.5	6	98.5	10.5	110